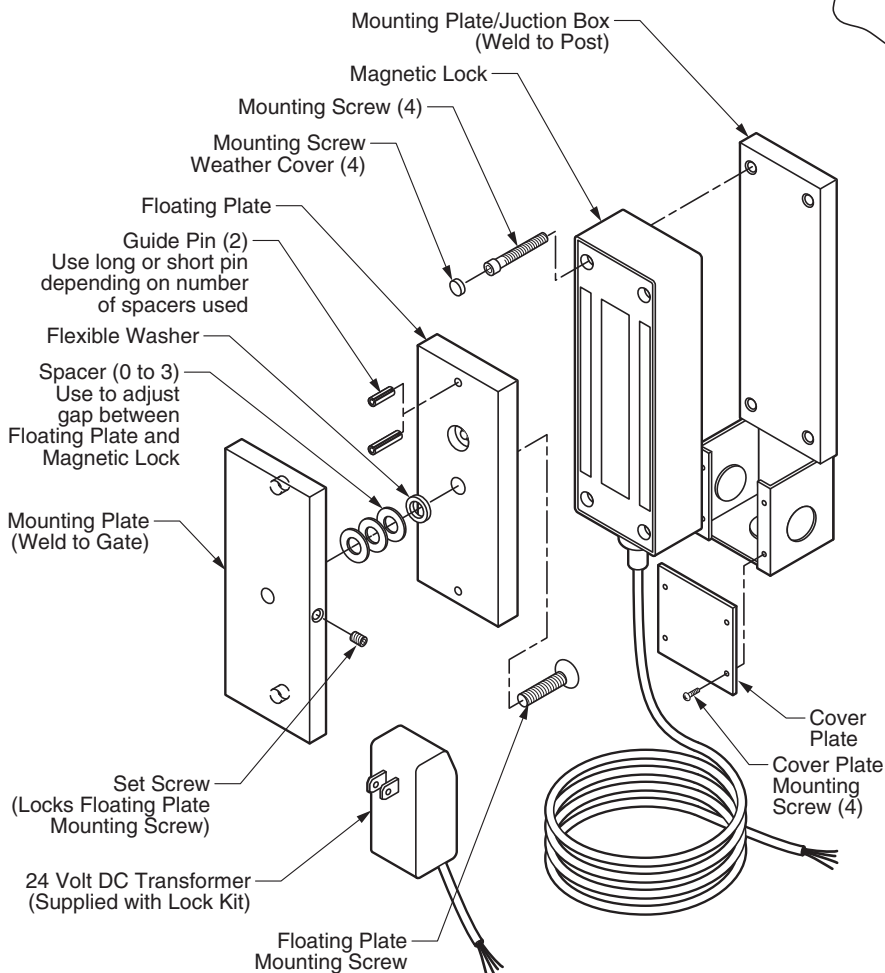
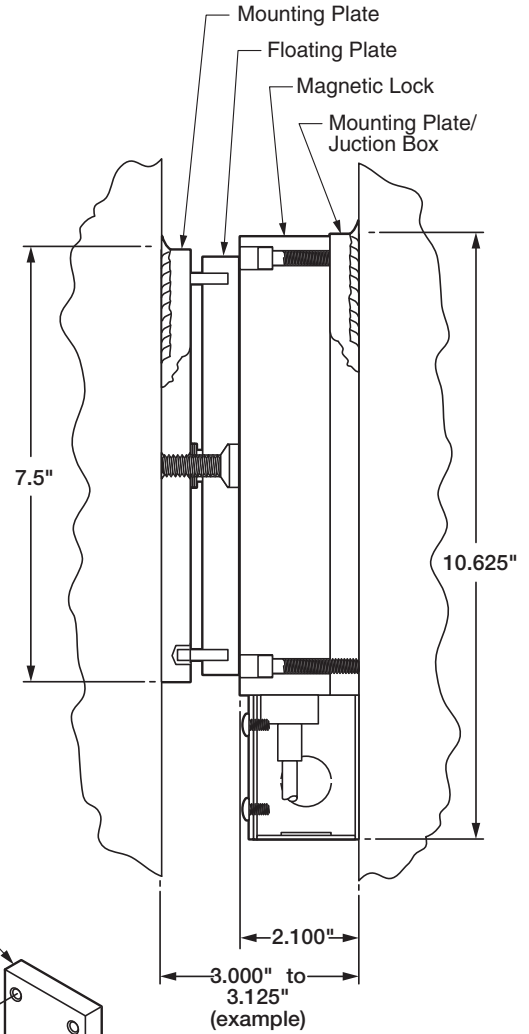




# VIKING ELECTROMAGNETIC LOCK

## Standard Features

- Mounting base with electrical box
- 24VDC Plug-in transformer
- 12VDC or 24VDC operation
- 500mA at 12VDC operation
- 250mA at 24VDC operation
- 1300 pounds of holding force



# VIKING ELECTROMAGNETIC LOCK

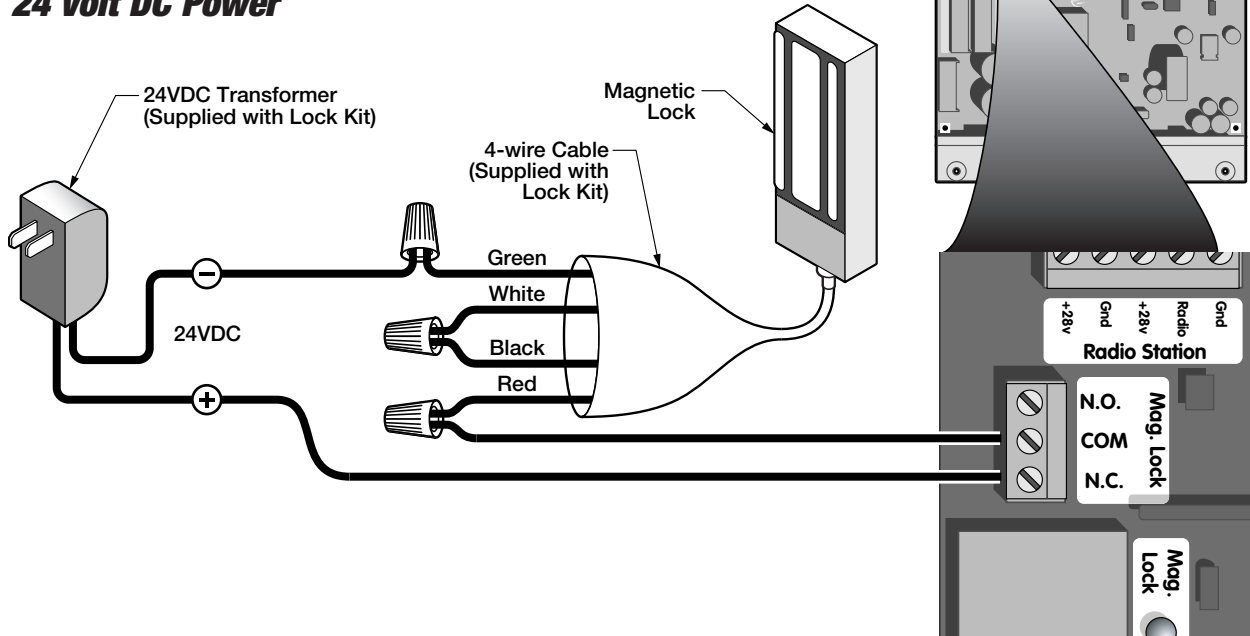
## Wiring Diagrams

External supply for the magnetic lock must be provided. This will prevent rapid drainage of the battery in the event of power failure.

Relay Contact 10A-250VAC

Connection Location  
on Viking's standard  
circuit board

### 24 Volt DC Power



### 12 Volt DC Power

